

4

3

2

1

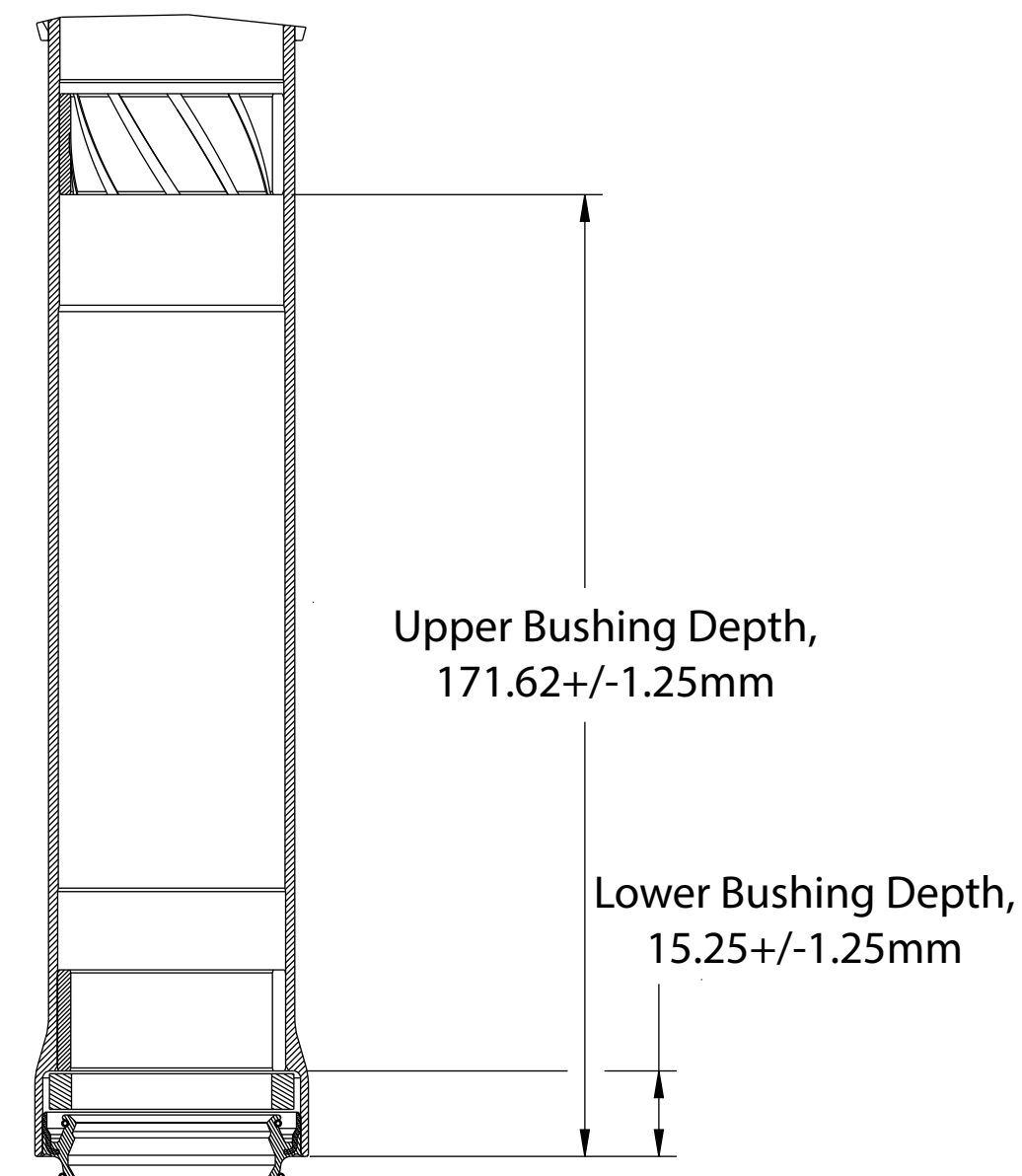
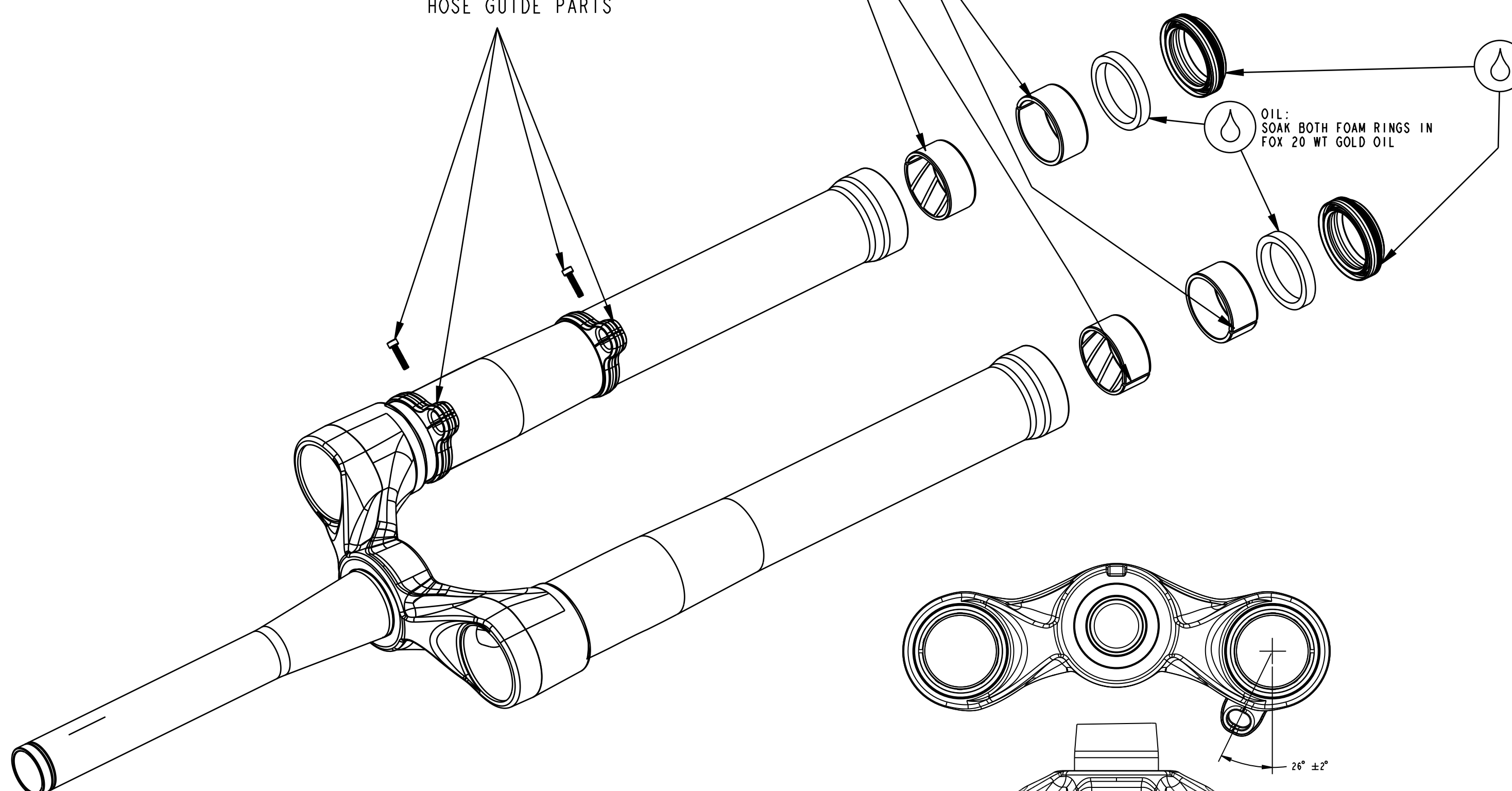
UPPER BUSHINGS (SLITS ORIENTED OUTWARD)

LOWER BUSHINGS (SLITS ORIENTED OUTWARD)

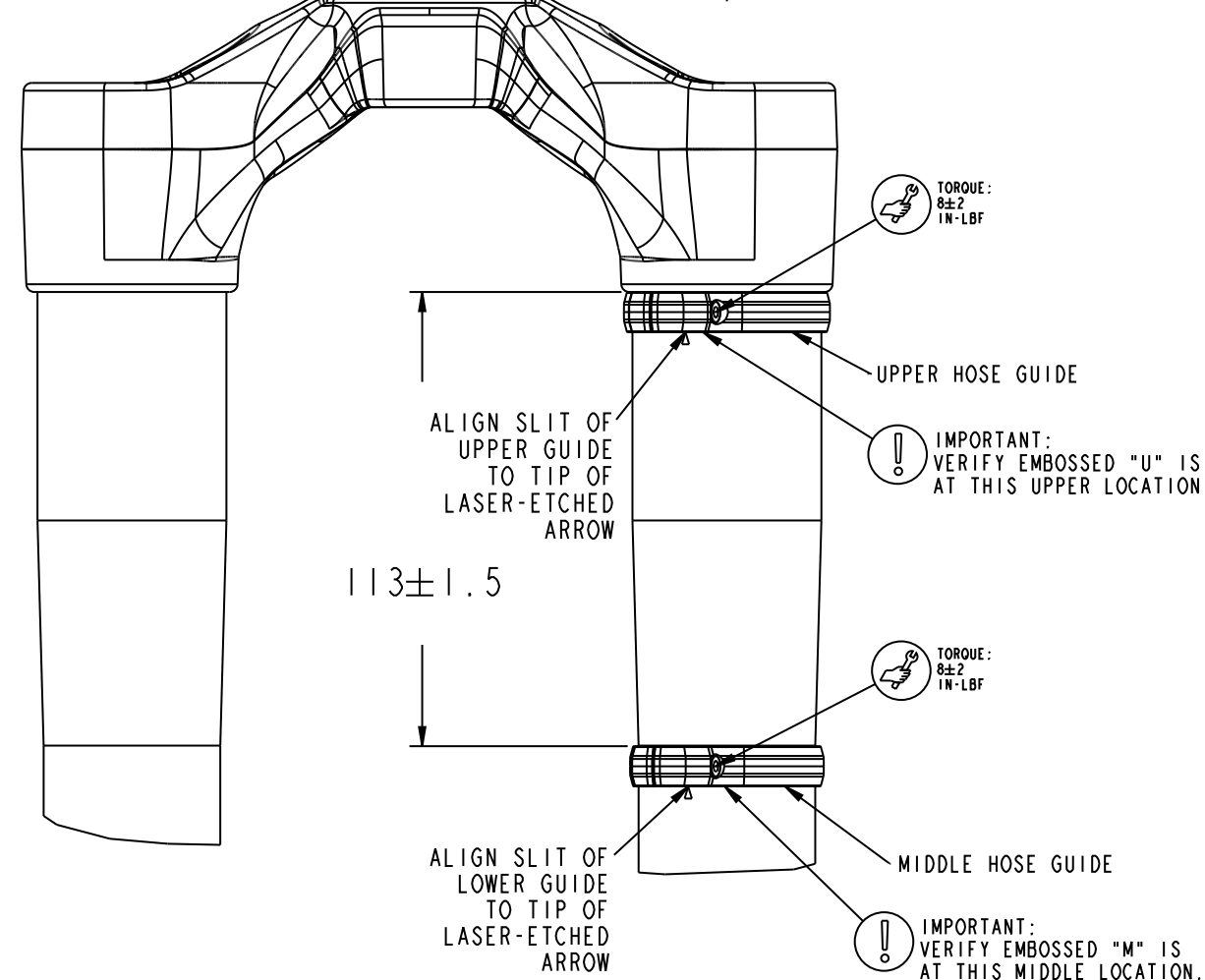
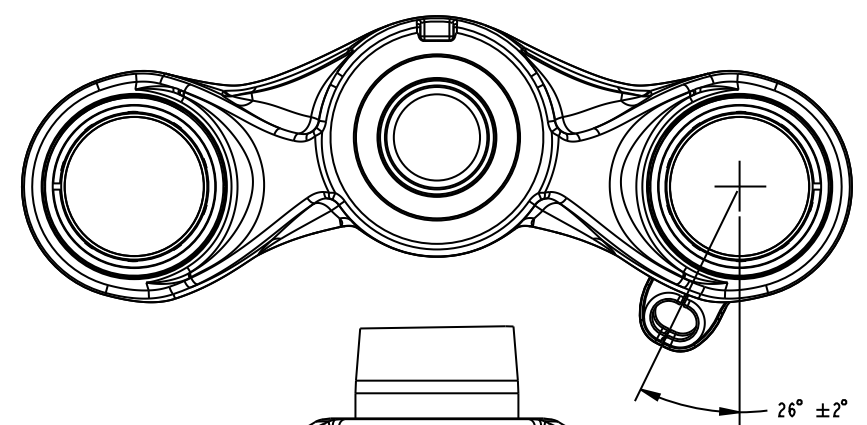
HOSE GUIDE PARTS

OIL:  
APPLY FILM OF FOX GREEN 10 WT OIL  
A FULL 360° TO O.D. OF SEAL CAN

OIL:  
SOAK BOTH FOAM RINGS IN  
FOX 20 WT GOLD OIL



**DIMENSIONS APPLY TO  
LEFT AND RIGHT UPERTUBES**



- PROPRIETARY -  
THIS DOCUMENT CONTAINS CONFIDENTIAL, PROPRIETARY INFORMATION  
THAT IS FOX PROPERTY. DO NOT DISCLOSE TO OR DUPLICATE  
FOR OTHERS EXCEPT AS AUTHORIZED BY FOX.

<b>FOX</b>	<b>FOX Factory, Inc.</b>	Ph 831-768-1100
	130 Hangar Way, Watsonville, CA 95076 USA	Fax 831-768-9312
TITLE	<b>PODIUM CSU</b>	
SIZE	DWG. NO.	
<b>C</b>		
PLOT SCALE	0.75:1	SHEET 1 OF 3

4

3

2

1